

ARIAPUR80
ARIAPUR100LED



valsir[®]



valsir[®]

ARIAPUR80

ARIAPUR100LED

The solution
to bad odours



Watch the new Ariapur video
valsir.it/u/videoNuovoAriapur

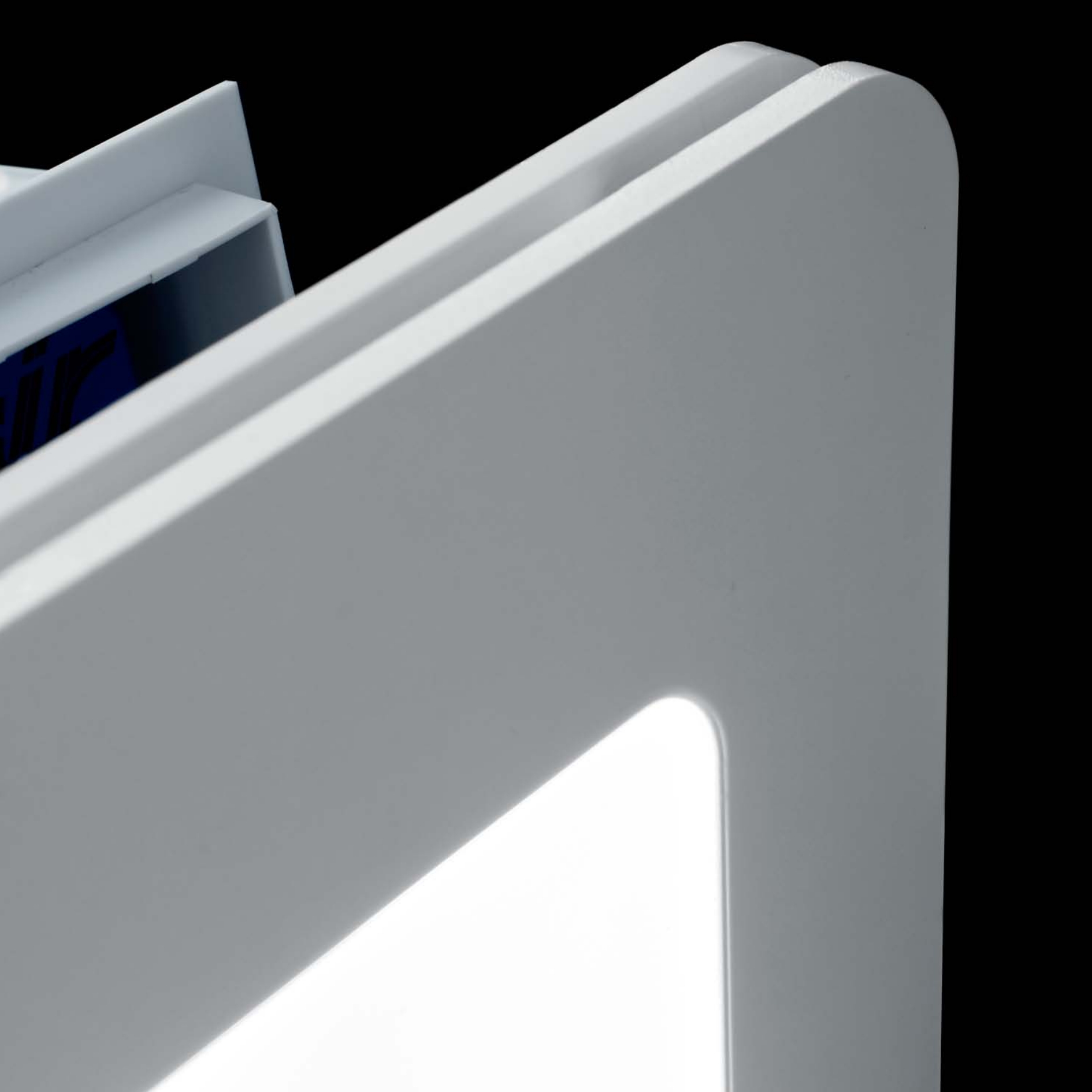
Ariapur is the solution to guarantee the elimination of unpleasant odours ensuring clean air inside the bathroom without sacrificing design and comfort. The operation of Ariapur is simple, high-performing, extremely quiet and the unit itself is very compact.

Ariapur captures odours directly from the toilet, extracting and disposing of them before they spread to the room. At the same time, it eliminates the steam generated during the use of showers and baths through the ventilation system on the suction plate.

As of today this product is also available with a highly efficient led light that illuminates the entire room.



MADE IN ITALY



THE ADVANTAGES OF USING THE ARIAPUR SYSTEM



Combined extraction from the WC pan and room for maximum ventilation efficiency inside the bathroom.



The **Ariapur100Led** version has an **integrated led light** that provides a 12 Watt neutral white.



Extremely silent respecting the limits set by current regulations.



Actuated by switch or motion sensor **with integrated scheduled shutdown** from 0 to 20 minutes (in the Ariapur100Led version).



High extraction capacity available with the Ariapur80 version that **guarantees an air renewal of 65-80 m³/h**, and in version Ariapur100Led **85-100 m³/h air change**.



Installation and easy maintenance thanks to the rapid connection of motor and electrical connections.



Design: the plate can be painted with the most common paints available on the market in order to fit in with the surrounding walls, even when decorated.



Thanks to the non-return valve, Ariapur can be connected directly to the waste system.



Hygiene and cleaning: the cover plate prevents the formation of dust, typical of traditional fans. The filter is washable with water and soap.



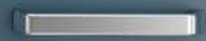
Cover plate release latch allows **installation in ceilings and walls**.



The Ariapur100Led version has an **internal humidistat for automatic activation** if the set threshold is exceeded.



Installation flexibility thanks to the 3 WC connection possibilities (DN 50) and to the possibility of connecting the outlet (DN 75-80) to the side or rear of the casing that contains the fan.



ARIAPUR80

Ariapur80 is the ideal solution created for installation in bathrooms without windows, for the removal of odours directly from the WC. Ariapur80 has proven to be a very functional solution also in bathrooms with windows reducing considerably the energy waste and preventing smog, pollen and insects from entering through an open window.

Ariapur80 is also capable of removing the steam caused by showers in a normal household.

Operation of Ariapur80 is versatile, namely by using the bathroom light switch, a specific air extraction switch or a motion sensor making it an extremely flexible system.

Equipped with a silent and energy efficient motor, Ariapur80 can be set to a flow intake of 65 m³/h or 80 m³/h to provide the best solution for the environment where it will be installed.

65
80
m³/h

29
Watt
max

31
dB(A)

3
mod.
ON





ARIAPUR100LED

Ariapur100Led is an innovative air extraction system for the bathroom with an innovative design, featuring a 960 lumen led light capable of illuminating the entire environment.

Ariapur100Led is able to monitor the humidity level of the air automatically: the sensor starts extraction in relation to the set humidity level ensuring a complete air renewal. This guarantees the same result is achieved as when the windows are opened but without any loss of waste of heat or energy.

Thanks to the built-in timer, Ariapur100Led can run for up to 20 minutes after use, so that the air in the room is completely renewed.

Ariapur100Led is also equipped with the ultimate brushless motor capable of guaranteeing low consumption (only 20 W at maximum speed), you can also set the fan to a lower speed (85 m³/h) to better adapt to the environment in which it is installed.

85
100
m³/h

20
Watt
max

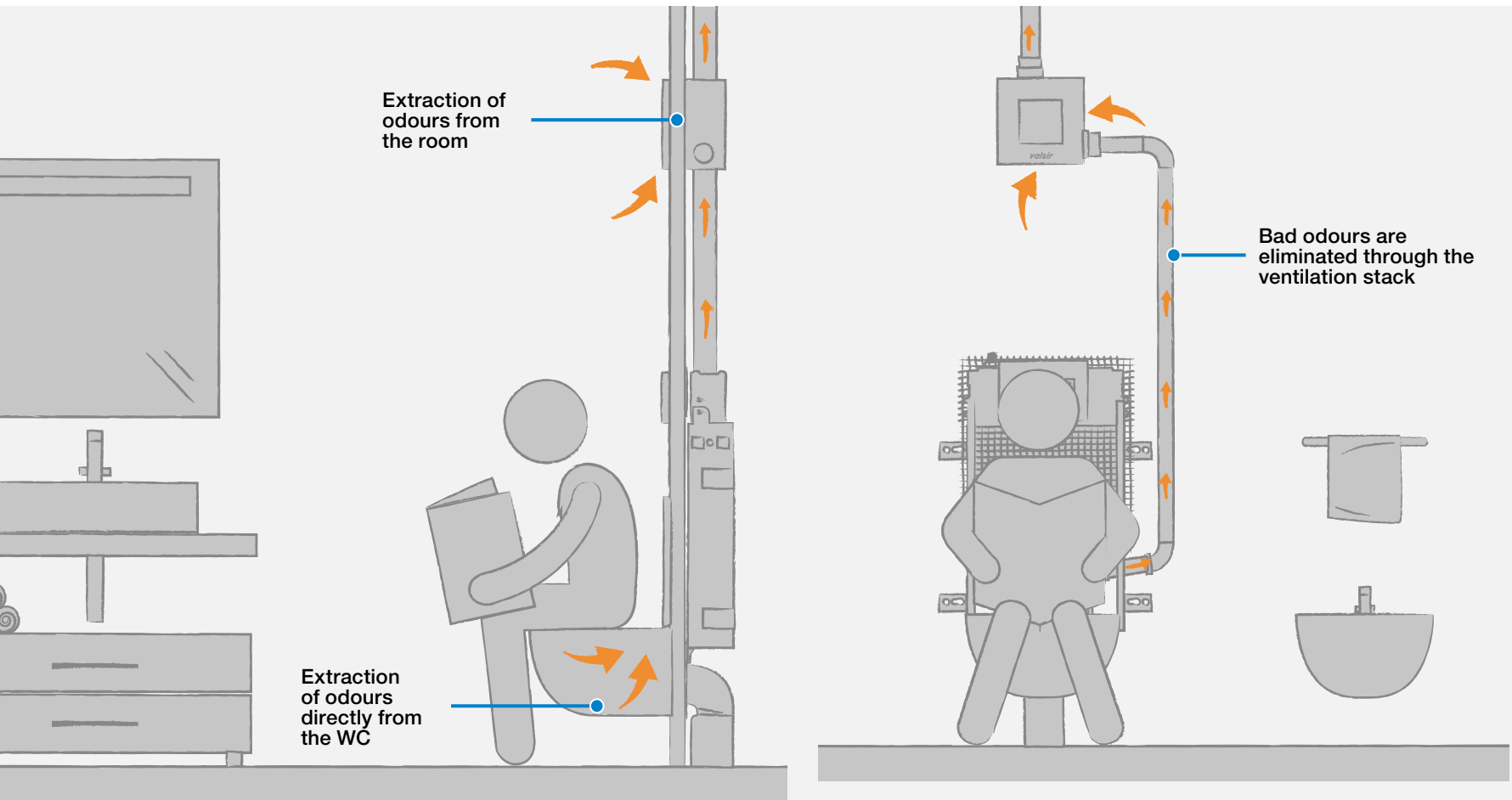
0-20
minutes

960
lumen

4000
Kelvin



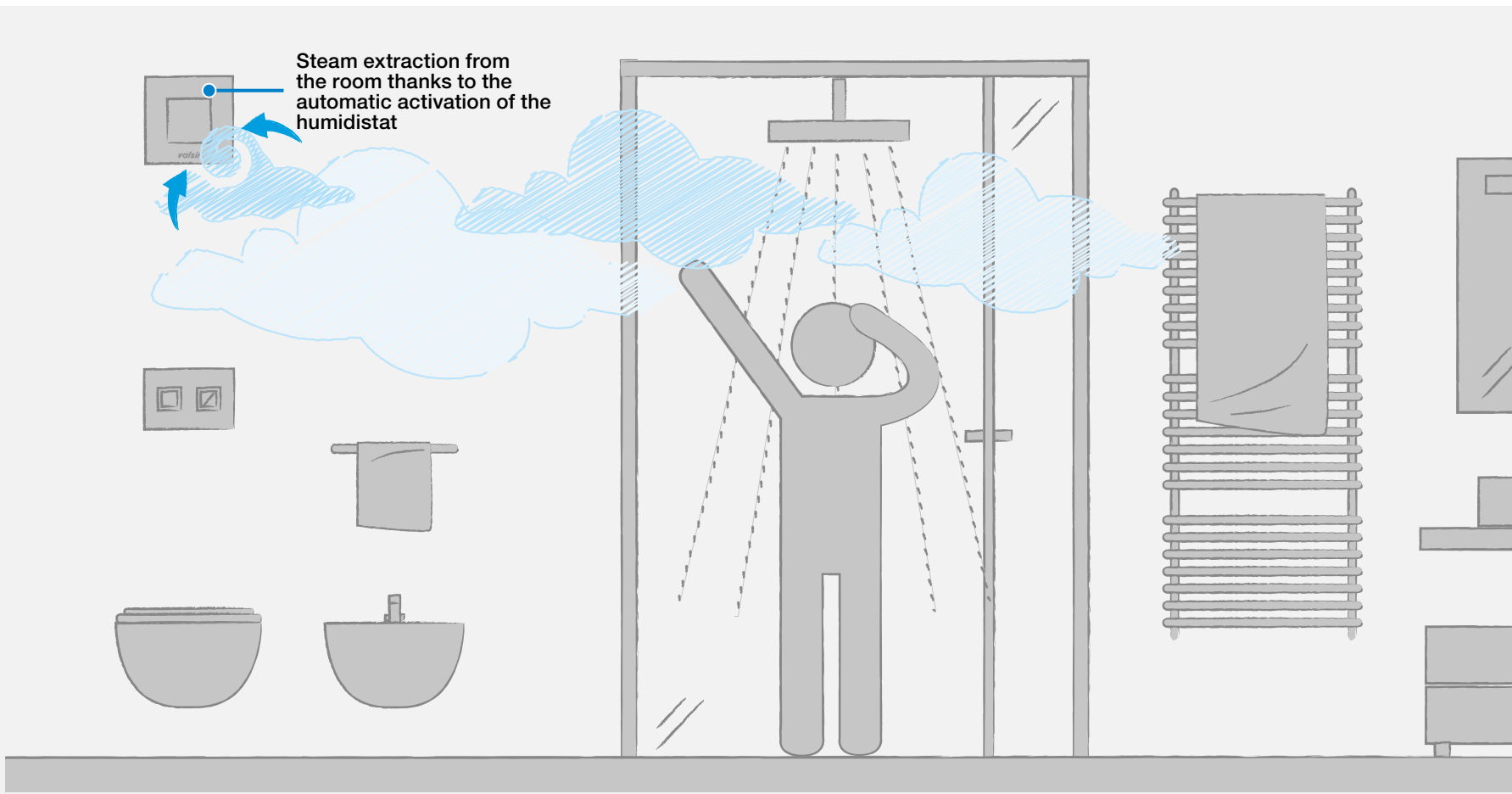
HOW THE ARIAPUR SYSTEM WORKS



Extraction of odours from the WC

Operation of Ariapur is simple and high performing. Ariapur captures the odours directly from the WC pan, extracts and eliminates them before they spread to the room.

The bad smells are conveyed through the ventilation pipe and removed completely from the room.



Extraction of steam from the room

At the same time, Ariapur eliminates the steam that is generated system from the front extraction plate.

In this way the formation of mold, which is a common event in the bathroom, is reduced.



ARIAPUR COMPONENTS

Non-return valve

The valve, which is positioned on the outlet, **prevents the backflow of odours** generated inside the stack.

Ariapur does not require a dedicated waste pipe but can be connected directly to the ventilation stack of the waste system. Thanks to the presence of this non-return valve, more than one Ariapur units can be connected to the same pipe network.



Connection flexibility

An adjustable flush pipe makes all installations possible.

The connection can be positioned either to the left or to the right and it is equipped with a push-fit socket joint.



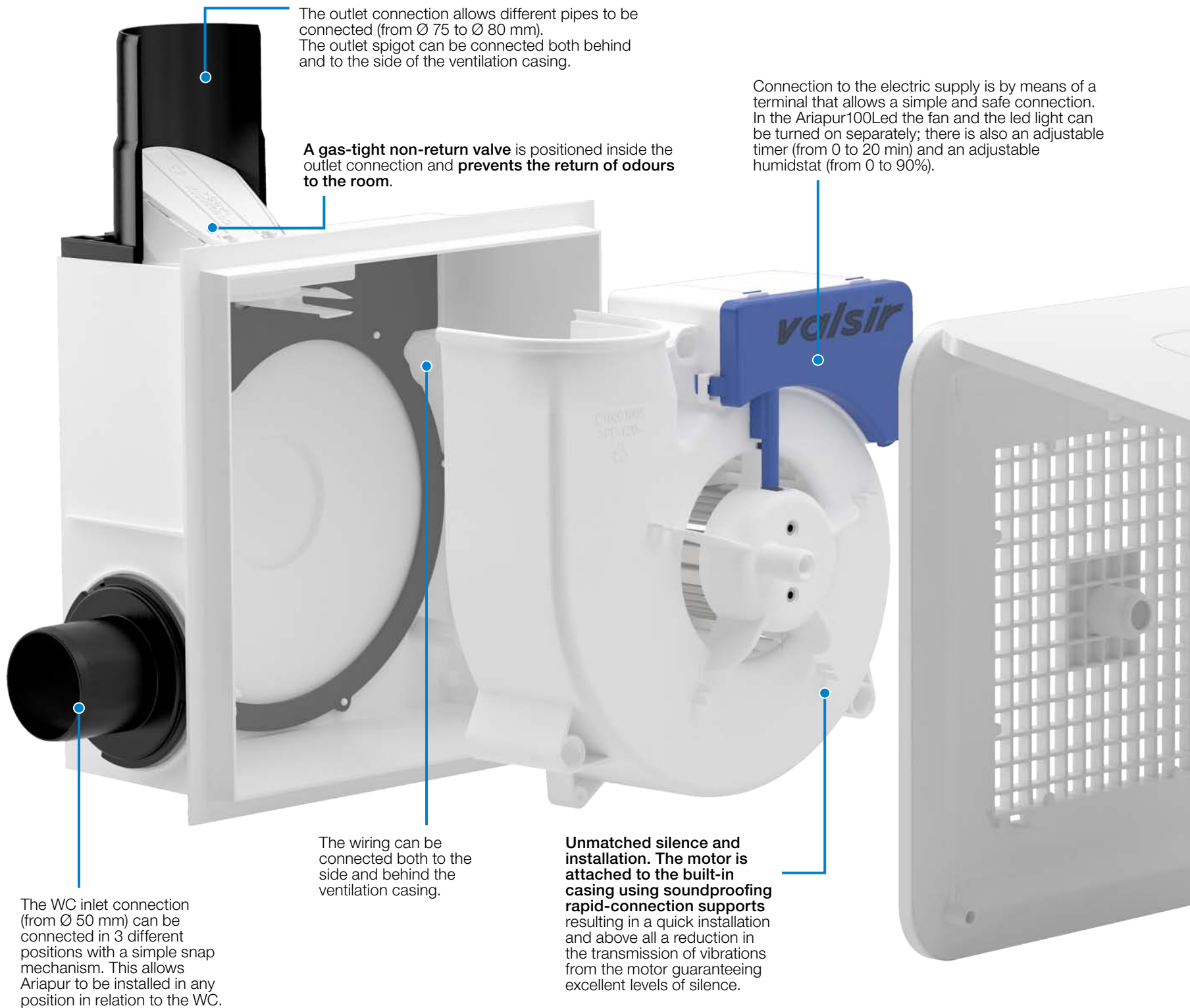
Activation choice

Ariapur can be **activated using traditional switches or motion sensors**.

Ariapur incorporates a **timer to ensure the renewal of air as established by regulations**.

Light activation in the Ariapur100Led version can be by separate control.





The outlet connection allows different pipes to be connected (from Ø 75 to Ø 80 mm). The outlet spigot can be connected both behind and to the side of the ventilation casing.

A gas-tight non-return valve is positioned inside the outlet connection and **prevents the return of odours to the room.**

Connection to the electric supply is by means of a terminal that allows a simple and safe connection. In the Ariapur100Led the fan and the led light can be turned on separately; there is also an adjustable timer (from 0 to 20 min) and an adjustable humidstat (from 0 to 90%).

The wiring can be connected both to the side and behind the ventilation casing.

Unmatched silence and installation. The motor is attached to the built-in casing using soundproofing rapid-connection supports resulting in a quick installation and above all a reduction in the transmission of vibrations from the motor guaranteeing excellent levels of silence.

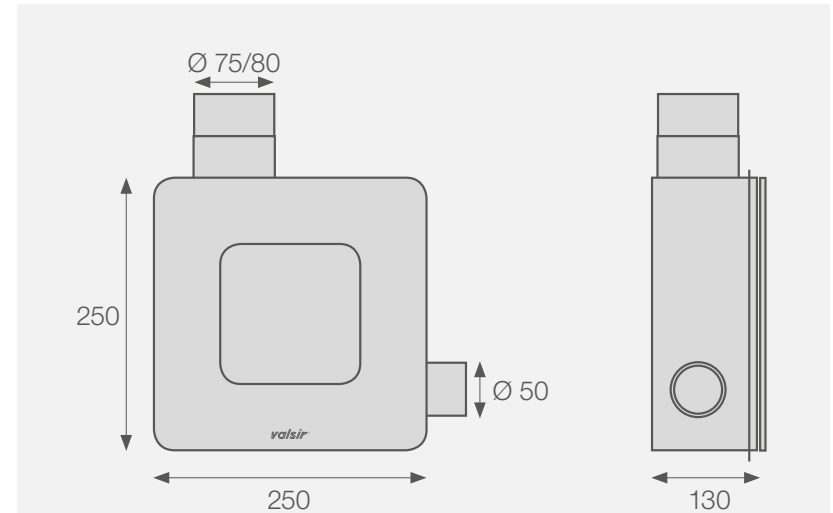
The WC inlet connection (from Ø 50 mm) can be connected in 3 different positions with a simple snap mechanism. This allows Ariapur to be installed in any position in relation to the WC.

TECHNICAL CHARACTERISTICS OF THE ARIAPUR MODELS

100% customizable.
The **cover plate** is white but the plastic material of which it is made can be painted to match any room.



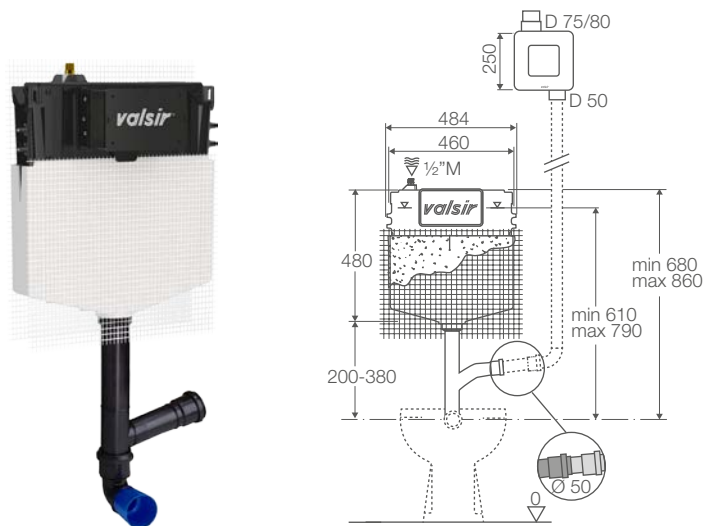
Simplified cleaning.
The **filter**, which is hidden by the cover plate, is **easily removed and cleaned** to guarantee continuous performance.



		ARIAPUR80		ARIAPUR100LED	
CAPACITY	m³/h	65	80	85	100
VOLTAGE	V	220-240 V		220-240 V	
FREQUENCY	Hz	50 Hz		50 Hz	
MAX PRESSURE	Pa	171	184	150	178
POWER	W	22	29	12	20
ACOUSTIC LEVEL	dB(A)	31	35	34	38
LED POWER	W	-		12	
LED COLOUR	K	-		4000	
LIGHT INTENSITY	lm	-		960	



TROPEA S WITH ARIAPUR

TROPEA S IN-WALL S84



- **WC type:** floor standing pans
- **Installation:** masonry walls, dry walls, stud frame walls
- **Flush volume:** 6/3 (standard setting), 4.5/3, 4/2 l
- **Size:** 84x484x480 mm

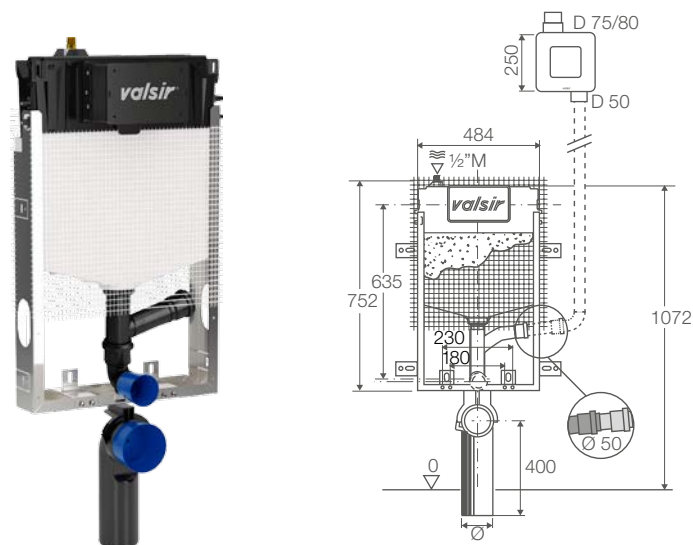
WITH ARIAPUR80

COD	MOD.			CL	€
VS0858312	MEC	1	16	CAA1	468,00
VS0858362	PNEU	1	16	CAA1	500,00

WITH ARIAPUR100LED



VS0858322	MEC	1	16	CAA1	638,00
VS0858372	PNEU	1	16	CAA1	670,00

TROPEA S FIXSYSTEM S86



- **WC type:** wall-hung pans
- **Installation:** masonry walls
- **Flush volume:** 6/3 (standard setting), 4.5/3, 4/2 l
- **Size:** 86x484x1072 mm

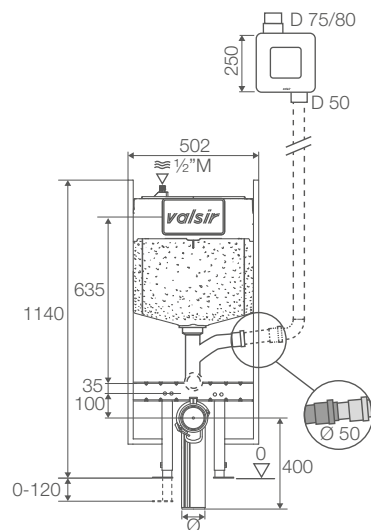
WITH ARIAPUR80

COD	MOD.	BEND			CL	€
VS0858313	MEC	Ø 90 - L 400	1	14	CAA1	538,00
VS0858363	PNEU	Ø 90 - L 400	1	14	CAA1	570,00

WITH ARIAPUR100LED



VS0858323	MEC	Ø 90 - L 400	1	14	CAA1	708,00
VS0858373	PNEU	Ø 90 - L 400	1	14	CAA1	740,00

TROPEA S BLOCK S90



- **WC type:** wall-hung pans
- **Installation:** dry walls, stud frame walls
- **Flush volume:** 6/3 (standard setting), 4.5/3, 4/2 l
- **Size:** 90x502x1140 mm

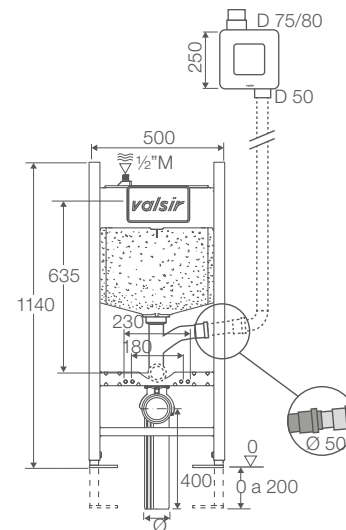
WITH ARIAPUR80

COD	MOD.	BEND			CL	€
VS0858321	MEC	Ø 90 - L 400	1	6	CAA1	610,00
VS0858365	PNEU	Ø 90 - L 400	1	6	CAA1	642,00

WITH ARIAPUR100LED



VS0858331	MEC	Ø 90 - L 400	1	6	CAA1	780,00
VS0858375	PNEU	Ø 90 - L 400	1	6	CAA1	812,00

TROPEA S BLOCK FREE-STANDING S160



- **WC type:** wall-hung pans
- **Installation:** anchored to the floor in dry walls
- **Flush volume:** 6/3 (standard setting), 4.5/3, 4/2 l
- **Size:** 160x500x1140 mm

WITH ARIAPUR80

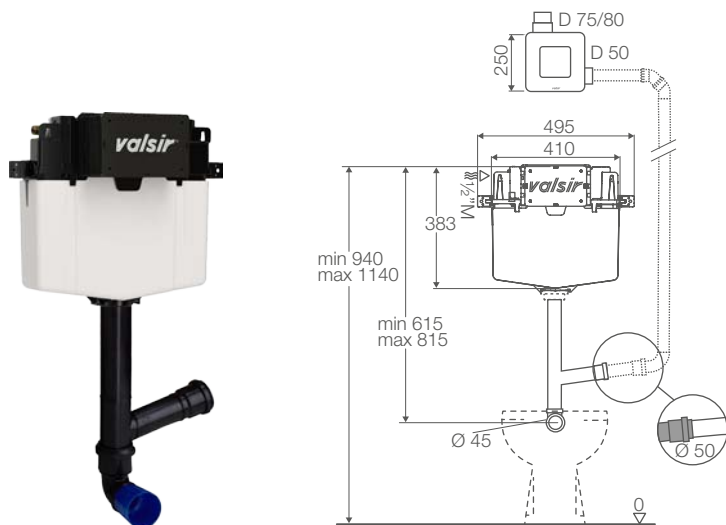
COD	MOD.	BEND			CL	€
VS0858511	MEC	Ø 90 - L 400	1	6	CAA1	660,00

WITH ARIAPUR100LED

VS0858521	MEC	Ø 90 - L 400	1	6	CAA1	830,00
-----------	-----	--------------	---	---	------	--------



WINNER S WITH ARIAPUR

WINNER S IN-WALL S120



- **WC type:** floor standing pans
- **Installation:** masonry walls, dry walls, stud frame walls
- **Flush volume:** 6/3 (standard setting), 4.5/3, 4/2 l
- **Size:** 120x495x383 mm

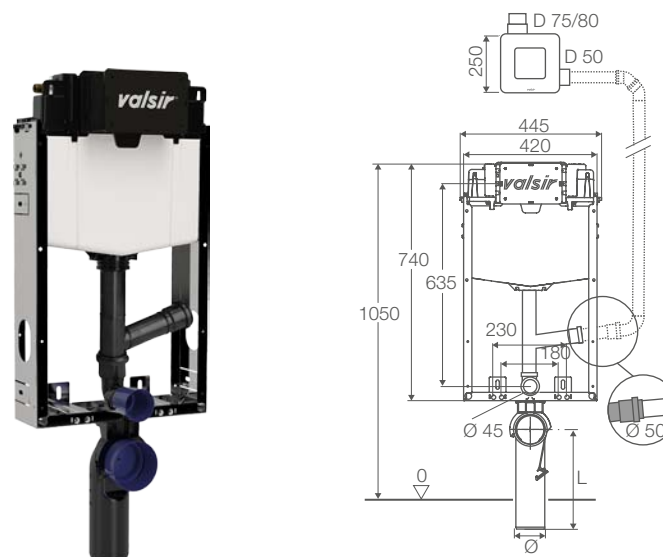
WITH ARIAPUR80

COD	MOD.			CL	€
VS0853305	MEC	1	16	CAA1	468,00
VS0853355	PNEU	1	16	CAA1	500,00

WITH ARIAPUR100LED



VS0853306	MEC	1	16	CAA1	638,00
VS0853356	PNEU	1	16	CAA1	670,00

WINNER S FIXSYSTEM S120



- **WC type:** wall-hung pans
- **Installation:** masonry walls
- **Flush volume:** 6/3 (standard setting), 4.5/3, 4/2 l
- **Size:** 120x445x1050 mm

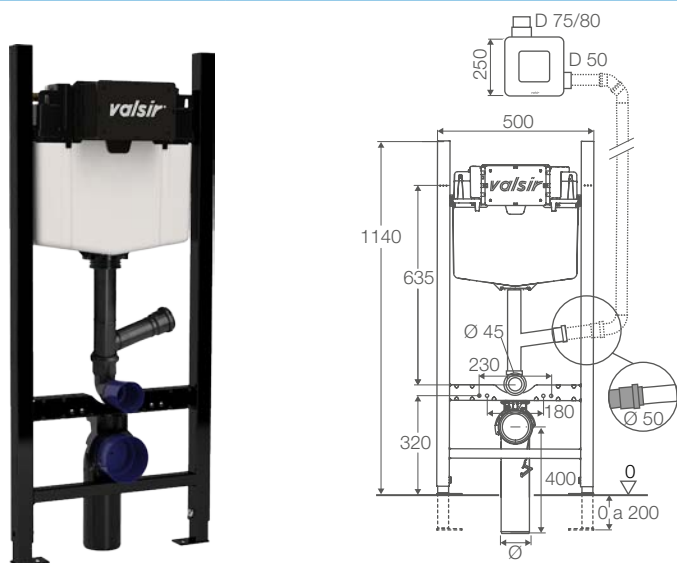
WITH ARIAPUR80

COD	MOD.	BEND			CL	€
VS0853315	MEC	Ø 90 - L 400	1	14	CAA1	538,00
VS0853365	PNEU	Ø 90 - L 400	1	14	CAA1	570,00
VS0853317	MEC	Ø 90/110 - L 230	1	14	CAA1	538,00
VS0853357	PNEU	Ø 90/110 - L 230	1	14	CAA1	570,00

WITH ARIAPUR100LED

VS0853316	MEC	Ø 90 - L 400	1	14	CAA1	708,00
VS0853366	PNEU	Ø 90 - L 400	1	14	CAA1	740,00
VS0853318	MEC	Ø 90/110 - L 230	1	14	CAA1	708,00
VS0853359	PNEU	Ø 90/110 - L 230	1	14	CAA1	740,00

WINNER S BLOCK S120



- **WC type:** wall-hung pans
- **Installation:** dry walls, stud frame walls
- **Flush volume:** 6/3 (standard setting), 4.5/3, 4/2 l
- **Size:** 120x500x1140 mm

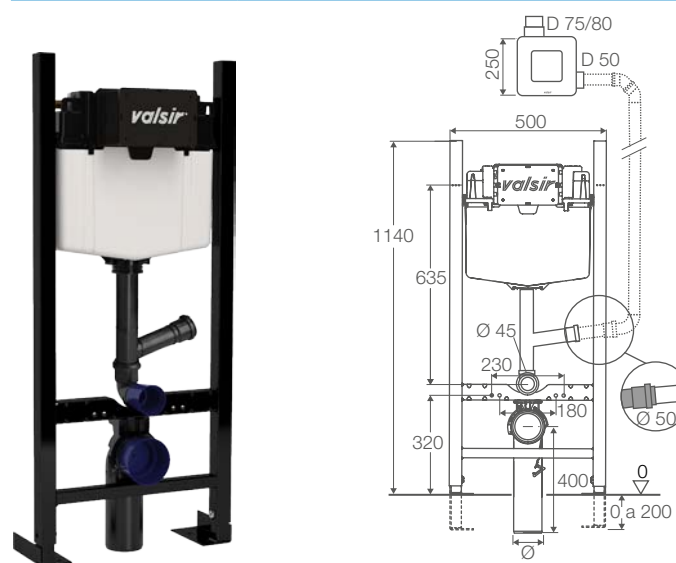
WITH ARIAPUR80

COD	MOD.	BEND			CL	€
VS0853325	MEC	Ø 90 - L 400	1	6	CAA1	610,00
VS0853375	PNEU	Ø 90 - L 400	1	6	CAA1	642,00
VS0853327	MEC	Ø 90/110 - L 230	1	6	CAA1	610,00
VS0853377	PNEU	Ø 90/110 - L 230	1	6	CAA1	642,00

WITH ARIAPUR100LED

VS0853326	MEC	Ø 90 - L 400	1	6	CAA1	780,00
VS0853376	PNEU	Ø 90 - L 400	1	6	CAA1	812,00
VS0853328	MEC	Ø 90/110 - L 230	1	6	CAA1	780,00
VS0853378	PNEU	Ø 90/110 - L 230	1	6	CAA1	812,00

WINNER S BLOCK FREE-STANDING S160



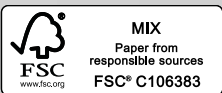
- **WC type:** wall-hung pans
- **Installation:** anchored to the floor in dry walls
- **Flush volume:** 6/3 (standard setting), 4.5/3, 4/2 l
- **Size:** 160x500x1140 mm

WITH ARIAPUR80

COD	MOD.	BEND			CL	€
VS0853335	MEC	Ø 90 - L 400	1	6	CAA1	660,00
VS0853385	PNEU	Ø 90 - L 400	1	6	CAA1	692,00
VS0853337	MEC	Ø 90/110 - L 230	1	6	CAA1	660,00
VS0853387	PNEU	Ø 90/110 - L 230	1	6	CAA1	692,00

WITH ARIAPUR100LED

VS0853336	MEC	Ø 90 - L 400	1	6	CAA1	830,00
VS0853386	PNEU	Ø 90 - L 400	1	6	CAA1	862,00
VS0853338	MEC	Ø 90/110 - L 230	1	6	CAA1	830,00
VS0853388	PNEU	Ø 90/110 - L 230	1	6	CAA1	862,00



VALSIR S.p.A.
Località Merlaro, 2
25078 Vestone (BS) - Italy
Tel. +39 0365 877.011
Fax +39 0365 81.268
e-mail: valsir@valsir.it
www.valsir.it

valsir®

Soggetta all'attività di direzione e coordinamento ex art. 2497 bis C.C. da parte di Silmar Group S.p.A. - Codice Fiscale 02075160172

L02-909/0 - Dicembre 2018

